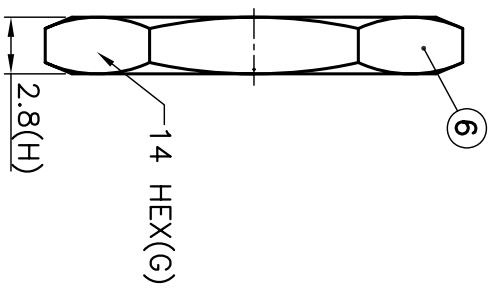
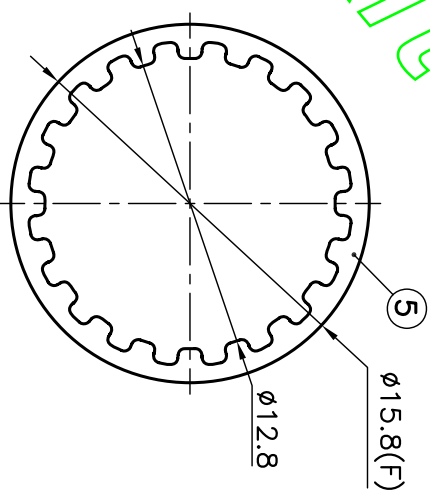
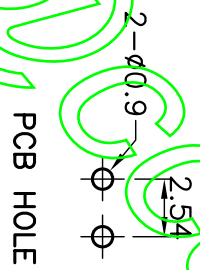
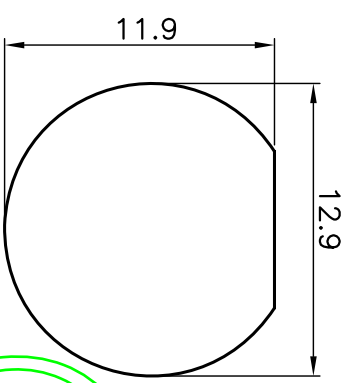
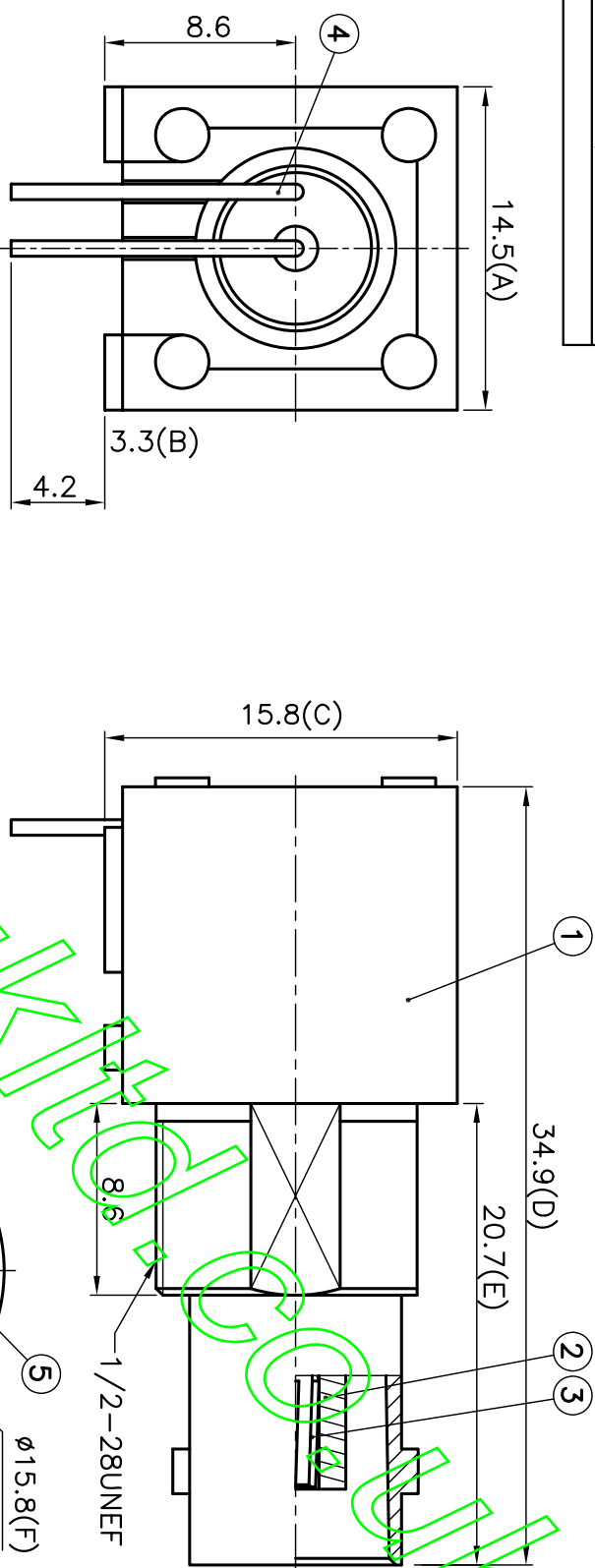


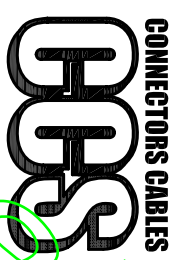
ISS	REVISIONS	DESCRIPTION \ DATE

RoHS COMPLIANT



PANEL CUTOUT

PCB HOLE



TITLE: BNC FEMALE R/A PANEL MOUNT

DIECAST / 15.8 50 phm

PART NO: BJPCBRA50SHMP

DRAWING NO: 50843-180-A

APRD:	UNLESS OTHERWISE SPECIFIED TOLERANCES	6	NUT	BRASS	NICKEL	KA/2005/10527	KA/2005/60362
CHKD:	0.5-6 = ±0.2	5	LOCK WASHER	STEEL	NICKEL	KA/2005/10523	KA/2005/60362
DR:	>6-30 = ±0.4	4	GROUNDING TERMINAL	BRASS	TIN	KA/2005/10527	CE/2005/41032
	>30-120 = ±0.6	3	CONTACT PIN	P.B	GOLD/TIN	KA/2005/10526	KA/2005/30993
	>120-315 = ±1.1	2	INSULATOR	PP	WHITE	KA/2005/51355	KA/2005/51355
	>315-1000 = ±1.6	1	BODY	ZINC ALLOY	NICKEL	KA/2005/10528	KA/2005/60362
DATE: 03/24/10"	ANGLES = ±5°		NO. DESCRIPTION	MATERIAL	FINISH		SGS REPORT NO
SHEET: .			SCALE: 3/1				

ISO 9001 certificate